

ED ALL-IN-ONE TOUCH SCREEN EPOS SYSTEM

08000 336 888 / 020 3056 1898 info@eposdirect.co.uk



14" FLAT TOUCH SCREEN



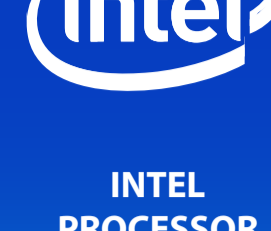
CAPACITIVE MULTI TOUCH



MICROSOFT WINDOWS



FAN LESS DESIGN



INTEL PROCESSOR



SPILL PROOF SCREEN

TRUSTED BY 100,000+ BUSINESSES OVER 23 COUNTRIES

SPACE SAVING DESIGN WITH IN-BUILT RECEIPT PRINTER

Cleverly designed All-in-one Epos system incorporates fully integrated receipt printer to adopt into all environments where space is at a premium.



IN-BUILT RECEIPT PRINTER

OUT OF THE BOX PLUG AND PLAY SOLUTION

All-in-one Epos system with a fully integrated ultra-flat touch screen, CPU and a built-in printer is designed for plug and play installation with minimal cabling. Simply power up the system, activate the software and start taking orders within minutes.



▶ PLUG AND PLAY EPOS SYSTEM



COMPACT AND STYLISH YET POWERFUL

Equipped with an Intel Quad Core processor with fan less design, Super-Fast SSD Flash Drive and DDR3 RAM, with latest Windows 10 IoT, All-In-One system offers superior built in quality, high performance and reliability.



OPTIONAL ADD-ON'S

INTEGRATED MAGNETIC CARD READER

Enhance the security and customer loyalty

- ✓ STAFF LOG IN
- ✓ ACCESS CONTROL
- ✓ READS GIFT CARDS
- ✓ READS LOYALTY CARDS



INTEGRATED 8" LED CUSTOMER FACING DISPLAY

■ SPLIT SCREEN TECHNOLOGY

Increase your sales through well timed promotions

- ✓ RUN SHORT VIDEOS
- ✓ DISPLAY ORDER DETAILS AND PRICES
- ✓ ADVERTISE CRISPY IMAGES OF OFFERS AND PROMOTIONS
- ✓ WORKS OFF LINE - NO INTERNET CONNECTION REQUIRED

INTEGRATED VFD CUSTOMER DISPLAY

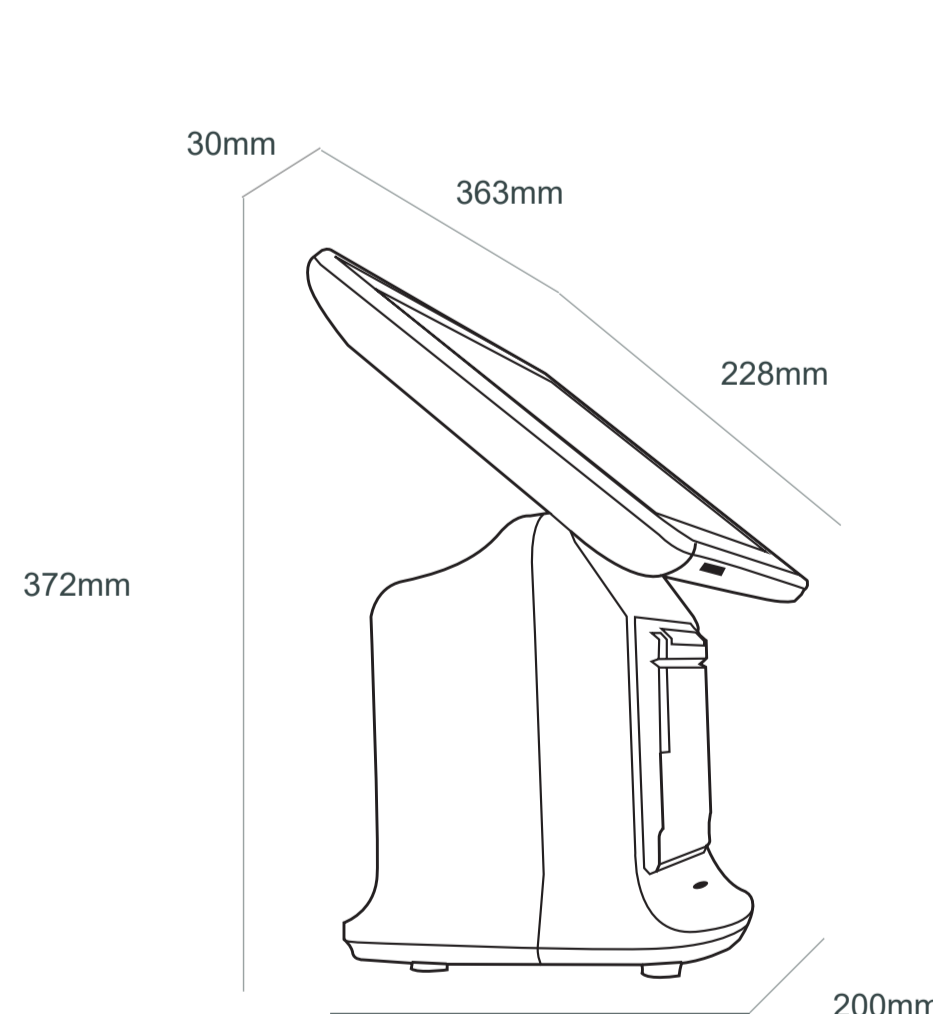
■ VACUUM FLUORESCENT DISPLAY

Win customers trust by displaying transactions as it processed

- ✓ REDUCES ERRORS
- ✓ INCREASE TRANSPARENCY
- ✓ IMPROVES CHECK OUT SPEED
- ✓ ENHANCES CUSTOMERS ENGAGEMENT



DIMENSIONS



SPECIFICATION

Processor	Fanless Intel Quad Core J1900
System Memory	1 x DDR3 4 Go SO DIMM(Optional upgrade to 8GB)
Storage Device	60 Go Half-Slim SSD 64GB (Optional upgrade to 256GB)
Power Supply	100~240AC (50~60Hz), 19VDC 3.42A 120W
OS Support	Win 10 IoT

DISPLAY & TOUCH

Display	14" Wide 16/9 LED
Resolution	1366 x 768
Touch	True-flat PCAP touch with multi-touch support

I/O EXPANSION

Serial Port	3 Maximum
Standard USB Port	1x USB 2.0 in front, 4 in Back
LAN Port	10/100/1000 Mb * 1
Cash Drawer	1 x 12V/24V

PHYSICAL DIMENSION

Dimension	1 x L x H 363 x 228 x 375mm
Weight	5.75kg

IN BUILT PRINTER

Print method	Thermal
Effective print width	72mm
Print speed	250mm/s 59 lines/s Points 203 DPI
Paper loading	Automatic
Emulation	Esc / Pos

OPTIONAL ADDON'S

Integrated Customer Display	2 Line x 20 Characters VFD Display
Integrated 2nd Display	8" LCD Customer Display
MSR	Support 1/2/3 track